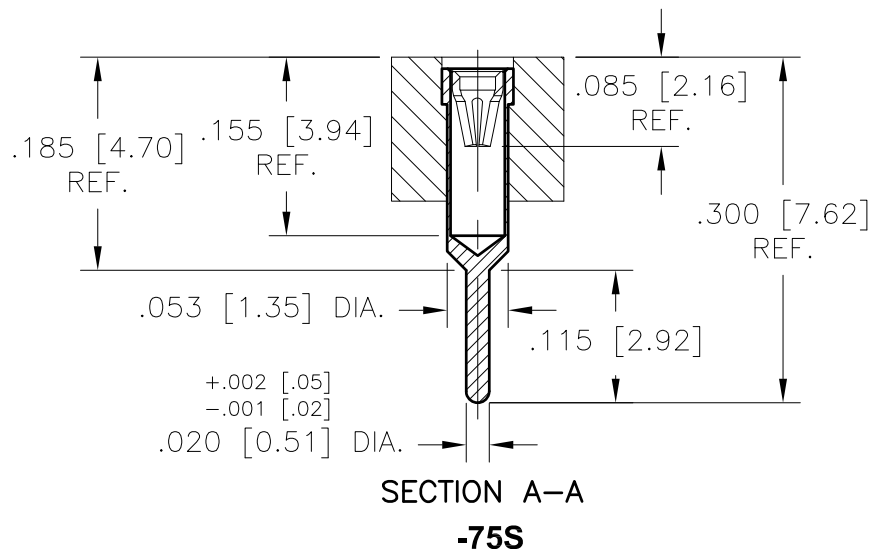
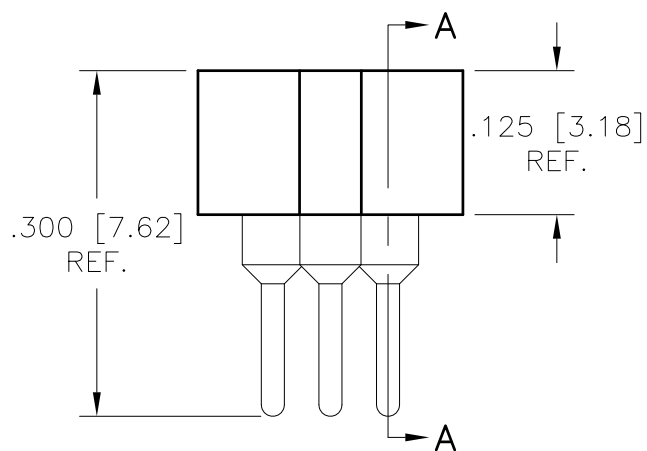
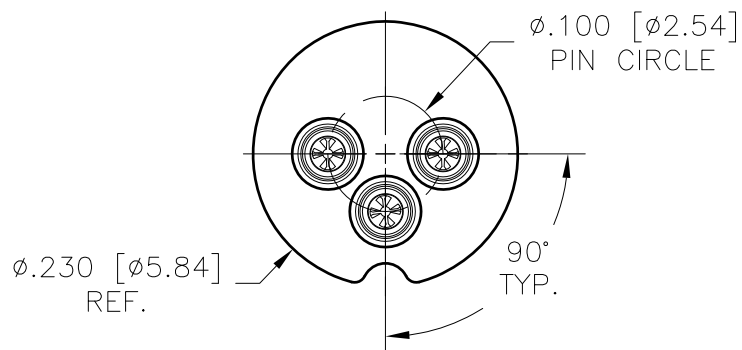


**TOP VIEW**



**CUSTOMER APPROVAL**  
**BY:** \_\_\_\_\_  
**DATE:** \_\_\_\_\_

**TECHNICAL INFORMATION**

- INSULATOR:** FR-4 LAMINATE, BLACK
- TERMINAL:** BRASS, PER ASTM-B16
- CONTACT:** BeCu, PER ASTM-B194
- FORCES:** INSERTION: 9.0 oz. - 255 GRAMS AVG. WITH A .018" [0.46] DIA. PIN  
 WITHDRAWAL: 2.0 oz. - 56 GRAMS AVG. WITH A .018" [0.46] DIA. PIN
- PLATING:** CONTACT: GOLD 10 $\mu$  INCHES MIN.  
 TERMINAL: GOLD 10 $\mu$  INCHES MIN.
- TERMINAL ACCEPTS:**  $\phi .016$ " [1.40mm] -  $\phi .022$ " [1.56mm] PINS

**RoHS COMPLIANT**

**"ANDON PROPRIETARY INFORMATION"**

THIS DRAWING CONTAINS INFORMATION PROPRIETARY TO ANDON ELECTRONICS CORPORATION. ANY REPRODUCTION, DISCLOSURE OR USE OF THIS DRAWING IS EXPRESSLY PROHIBITED AS ANDON ELECTRONICS MAY OTHERWISE AGREE IN WRITING.



**TITLE: 3 PIN, .100 [2.54] PIN CIRCLE, FP SP03-04N ROUND SENSOR SOCKET**

TOLERANCE EXCEPT AS NOTED	DRAWN BY: A.D.GRIMM	SCALE: 6:1
ANGLE ..... $\pm 2^\circ$	CHK'D BY: FE/ADG	DATE: 7-5-16
FRACTION $\pm .010$	APP'D BY: F. ESTRADA	FILE:
.XX ..... $\pm .010$	UNITS: INCHES [MILLIMETERS]	
.XXX ..... $\pm .005$		

REV.	DESCRIPTION	DATE	REV. BY	APP. BY	A DWG. NO. R100-SP03-04N-75S-R27-L14	REV. 0
------	-------------	------	---------	---------	---	-----------